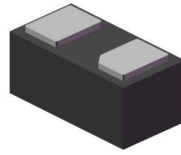


1. Finish Goods PKG photo



2. Packing method

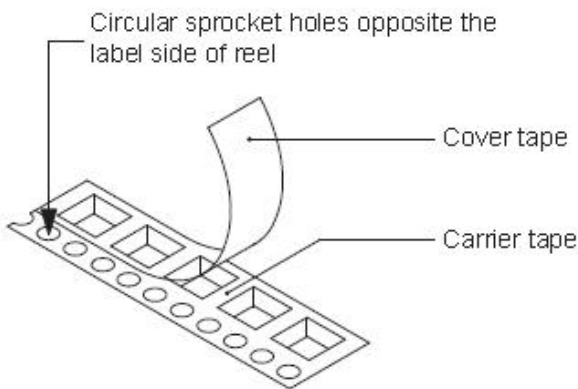


Fig.1- Reel pack for SMD

# DFN1006 Packing information

B127, Rev. -

Table 1. Packing information

Package version	Reel dimensions $\phi \times H$ (mm)	Pcs/reel (pcs)	Per reel weight (Kg)	Reels/Per Inner box	Inner box weight (Kg)	Inner box dimensions L×W×H (mm)	Outer box dimensions L×W×H (mm)	Outer box (pcs)	Outer box weight (Kg)
DFN1006	$\Phi 178 \times 14.4$	10K	NA	10	NA	215*215*215	450*445*240	400K	NA

### 3. Product orientation

Standard product orientation DFN1006

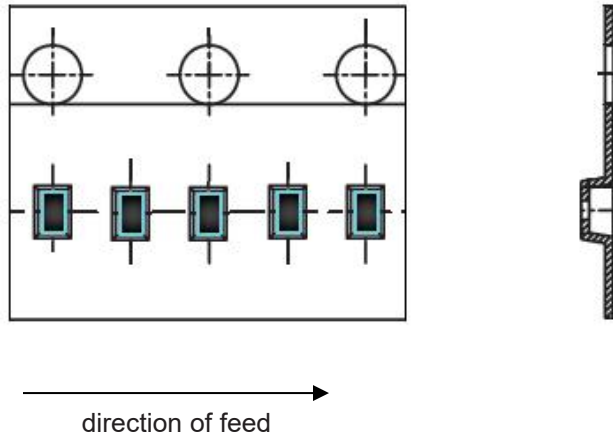
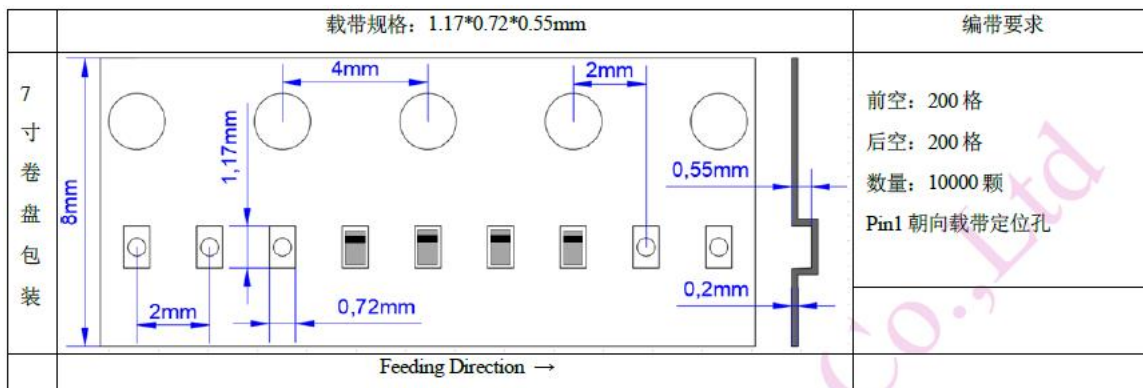
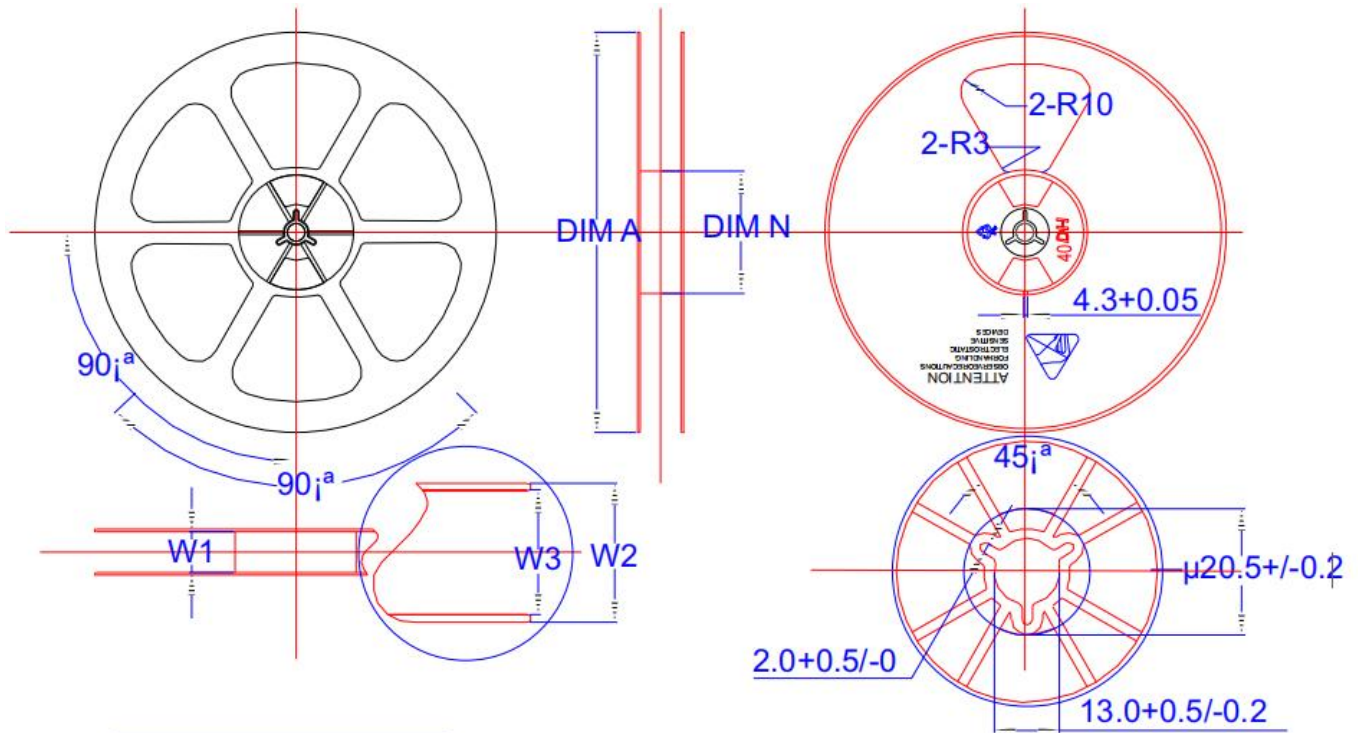


Fig 2. Product orientation in carrier tape

### 4. Carrier tape dimensions



5. Reel dimensions



DIM A	DIM W1	DIM W2	DIM W3	DIM N
178 ± 2	8.4+1.5 -0	14.4MAX	7.9~ 10.9	55 ± 5